

Improved Modelling in the Aorta

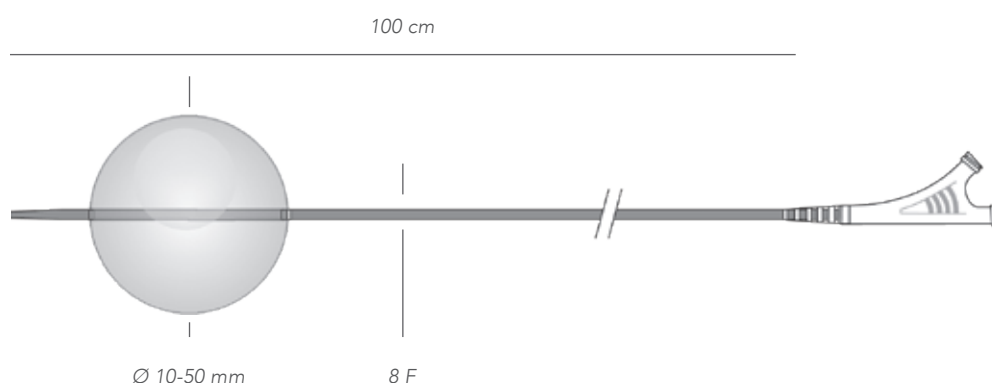


E-xpand Stent Graft Balloon Catheter

- Designed to assist in stent graft procedures
- Compliant balloon
- Short inflation and deflation times
- Radiopaque markers for precise positioning
- Compatible with 0.035" guide wire
- Minimum sheath diameter 12 F

Ordering Information

Catalog No.	Ø Balloon (mm)	Ø Shaft (F/mm)	Usable length (cm)	Ø Minimum Sheath (mm)
85XX0050N35-00	10-50	8/2.7	100	12



JT-BR-0850200-EN V02 06/2019